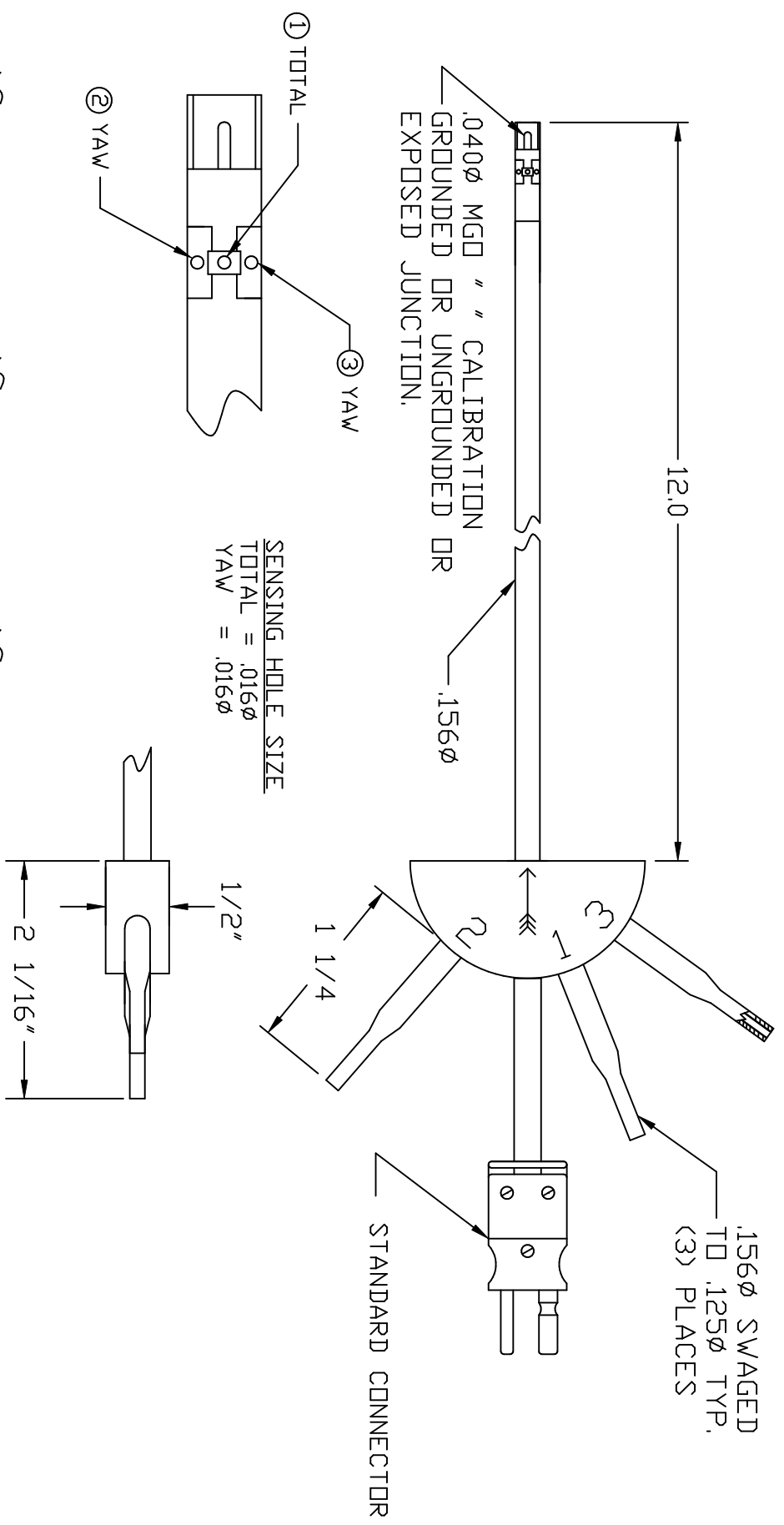
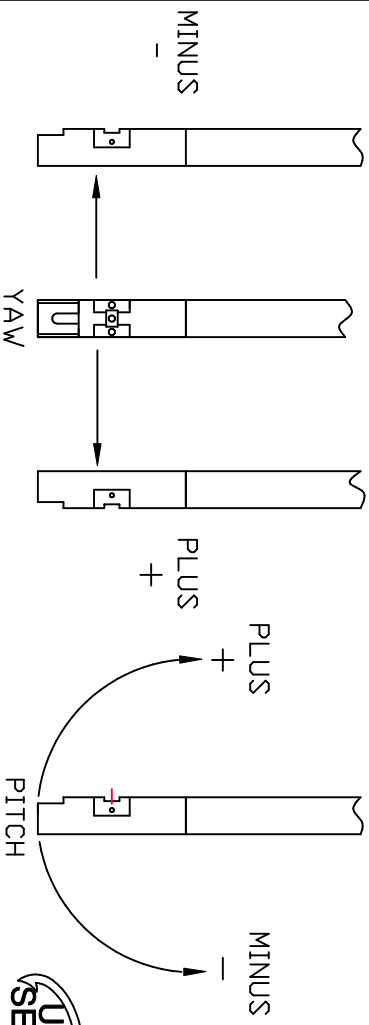


NOTES: 1. MAXIMUM TEMPERATURE 900°F



UNLESS OTHERWISE SPECIFIED: DIMENSIONS ARE IN INCHES DECIMALS OR ANGULAR TOLERANCES XX ± .01 X ± .005 DO NOT SCALE DRAWING		United Sensor Corp	
DESIGN	CHECKED	DATE	REV
DESIGN	HJW	121002	
SIZE	DWG NO.	YCT-156-12-CD-" "	
B	YCT-156-	-CD-CUST	
SCALE	SHEET	OF	

REPRODUCED BY THE UNITED STATES GOVERNMENT FROM THE DRAWINGS OF THE PATENT OFFICE