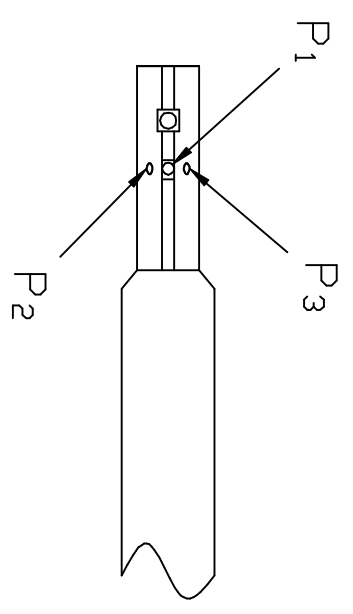
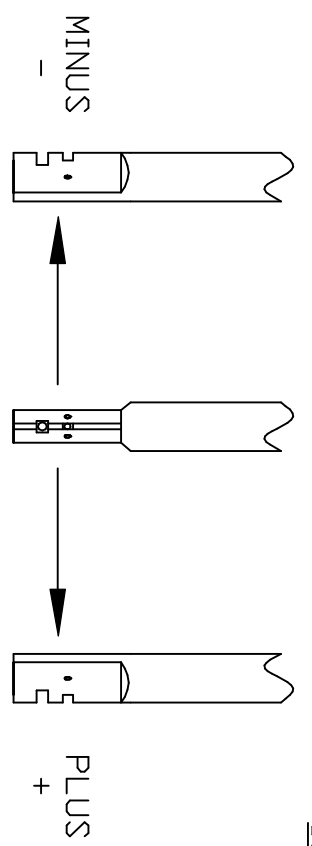


SENSING HOLE SIZE  
 $P_1 = .020 \text{ } \phi$   
 $P_2 = .022 \text{ } \phi$   
 $P_3 = .022 \text{ } \phi$



TYPE: WEDGE

NOTES: 1. MAXIMUM TEMPERATURE 900°F  
 2. PRESSURE TIGHT (P)



UNLESS OTHERWISE SPECIFIED: DIMENSIONS ARE IN INCHES TOLERANCES DECIMALS .005 ANGULAR ± 0.5 DO NOT SCALE DRAWING		DATE 12/05/02	
DRAWN HJW	CHECKED HJW	WT-250-24-CD-K-PLUG	
DESIGN	SCALE	SIZE B	DWG NO. WT-250-
			-CD -CUST
			REV
			SHEET OF

United Sensor Corp