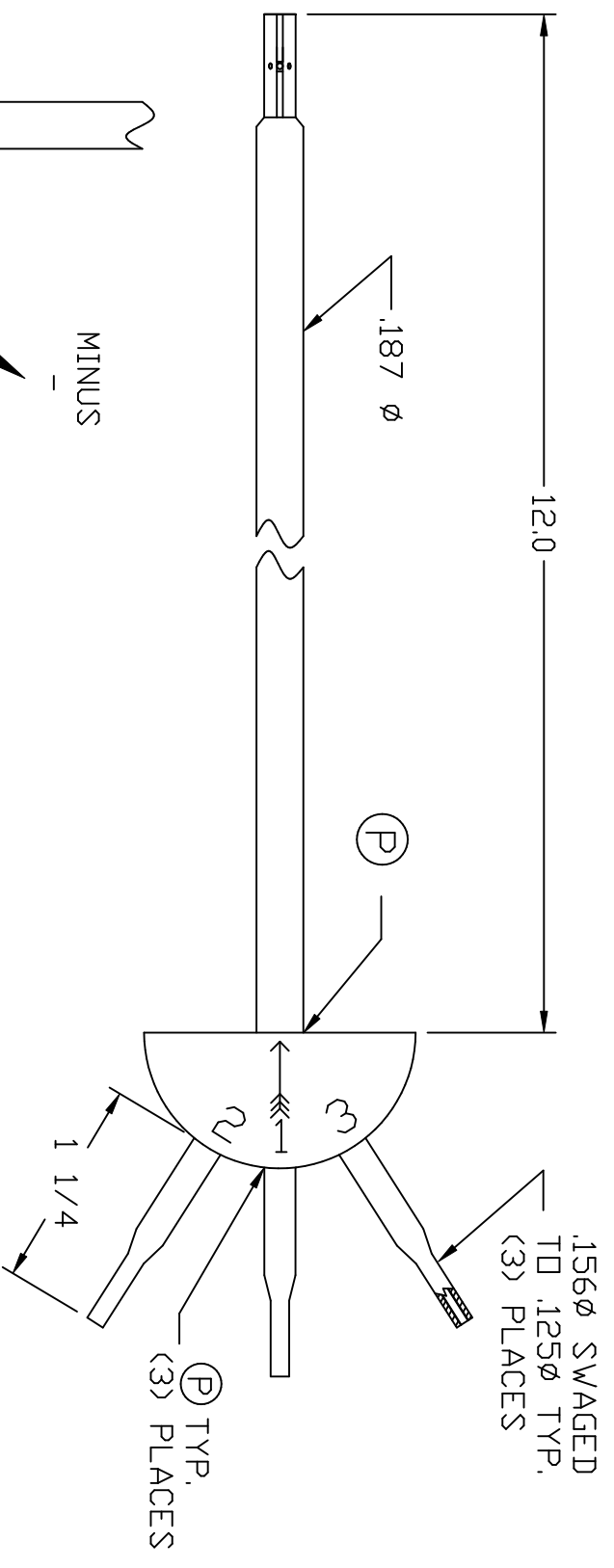
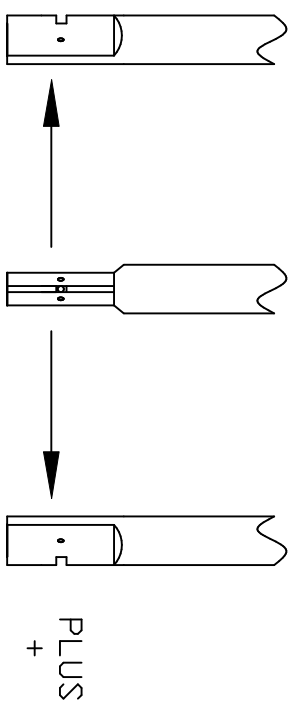
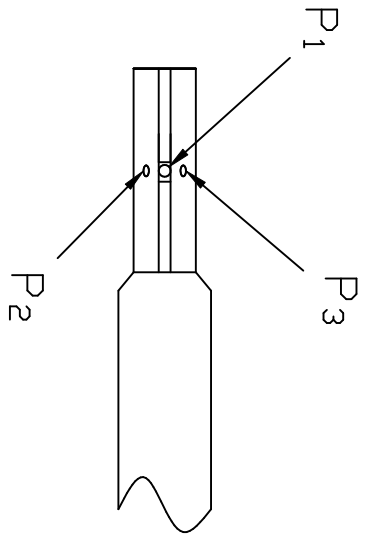


SENSING HOLE SIZE  
 $P_1 = .014 \text{ } \emptyset \text{ HOLE}$   
 $P_2 = .018 \text{ } \emptyset \text{ HOLE}$   
 $P_3 = .018 \text{ } \emptyset \text{ HOLE}$

YAW



TYPE: WEDGE



NOTES: 1. MAXIMUM TEMPERATURE 900°F  
 2. PRESSURE TIGHT (P)



UNLESS OTHERWISE SPECIFIED: DIMENSIONS ARE IN INCHES DECIMALS OR ANGULAR TOLERANCES ± 0.05 DO NOT SCALE DRAWING		United Sensor Corp	
DESIGN	CHECKED	DATE	REV
HJW	HJW	02/21/02	
SIZE	DWG NO.	W-187-12-CD	
B	W-187-	-CD-CUST,dwg	
SCALE	SHEET	OF	