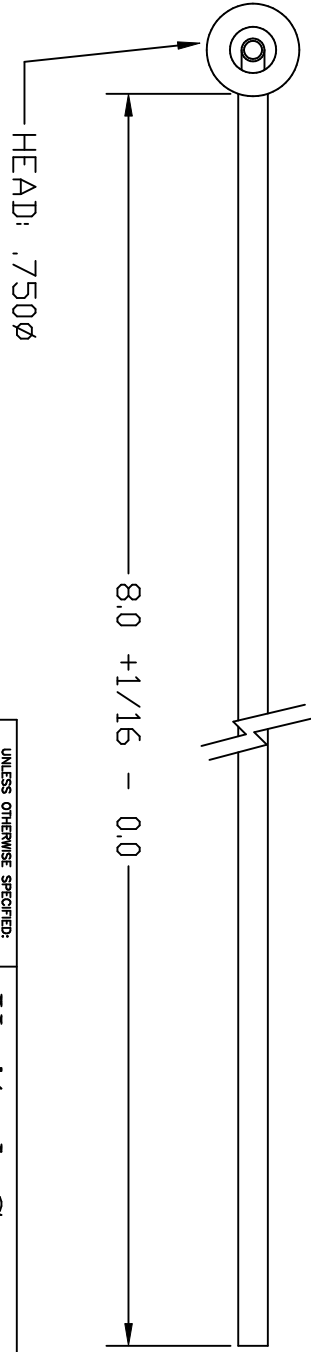
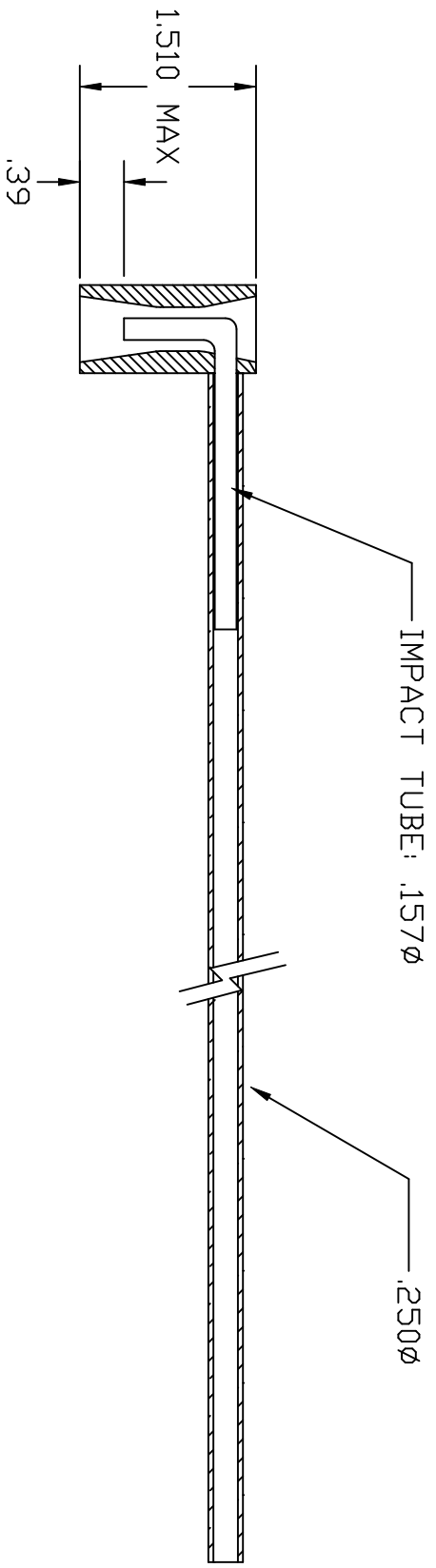


NOTES: 1. MAXIMUM TEMPERATURE 900°F

REVISIONS				
ZONE	REV	DESCRIPTION	DATE	APPROVED



CLEARANCE HOLE 1.750  
(2 INCH LONG)

UNLESS OTHERWISE SPECIFIED:  
DIMENSIONS ARE IN INCHES  
DECIMALS .005  
ANGULAR ± 0.5  
DO NOT SCALE DRAWING

DRAWN		DATE		United Sensor Inc.	
GD	012599	KFF-8			
CHECKED	CAR	091099	SIZE	FSCM NO.	DWG NO.
DESIGN			B		KFF- CUST.DWG
SCALE 2:1		SHEET		REV	