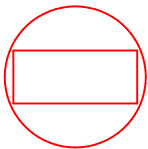
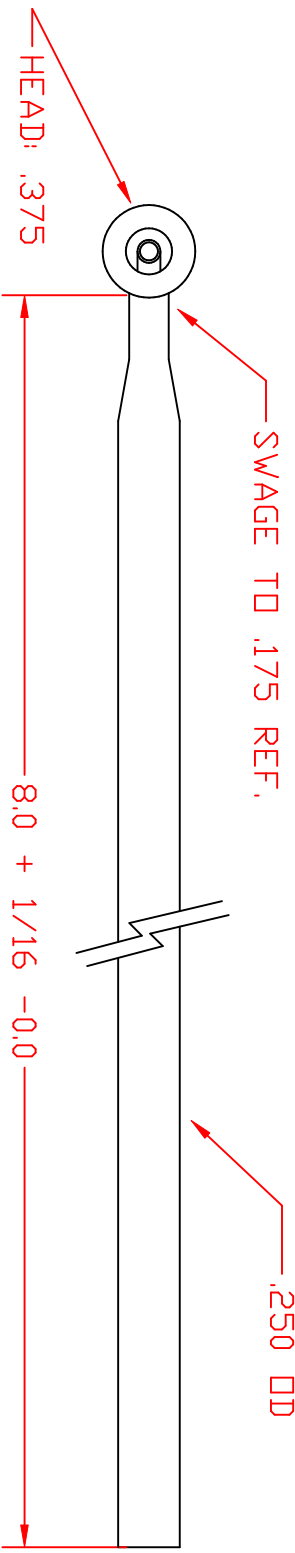
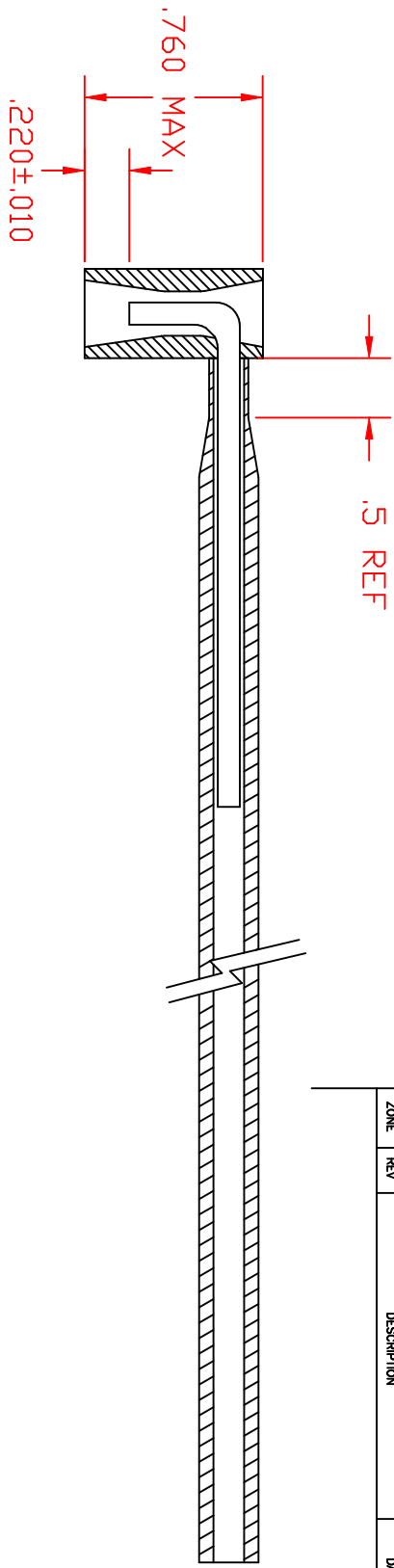


| REVISIONS |     |             |      |          |
|-----------|-----|-------------|------|----------|
| ZONE      | REV | DESCRIPTION | DATE | APPROVED |
|           |     |             |      |          |



CLEARANCE HOLE 7/8  
<2 INCH LONG>

MAXIMUM TEMPERATURE 900F

UNLESS OTHERWISE SPECIFIED:  
DIMENSIONS ARE IN INCHES  
DECIMALS TOLERANCES ANGULAR  
XX ± .01 ± 0.5  
DO NOT SCALE DRAWING

**United Sensor Inc.**

**KEF-8**

|         |     |          |              |
|---------|-----|----------|--------------|
| DRAWN   | GD  | DATE     | 06/27/98     |
| CHECKED | CAR | SIZE     | B            |
| DESIGN  |     | SCALE    | 2:1          |
|         |     | FSGM NO. |              |
|         |     | DWG NO.  | KEF-CUST.dwg |
|         |     | SHEET    | OF           |
|         |     | REV      |              |

UNLESS OTHERWISE SPECIFIED:  
DIMENSIONS ARE IN INCHES  
DECIMALS TOLERANCES ANGULAR  
XX ± .01 ± 0.5  
DO NOT SCALE DRAWING