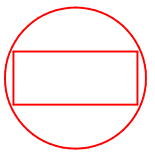
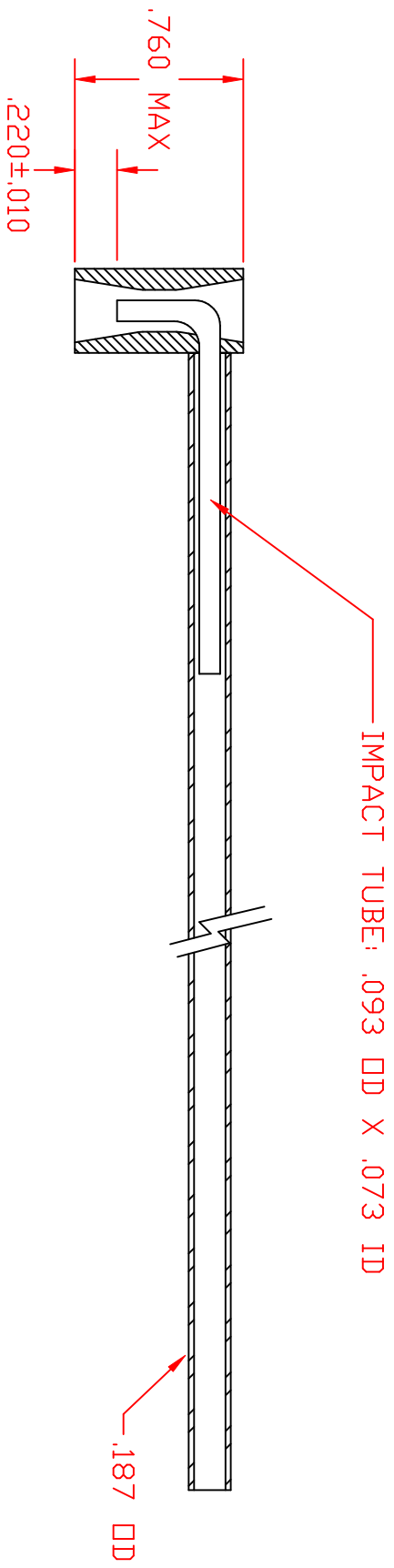


| REVISIONS | | | | |
|-----------|-----|-------------|------|----------|
| ZONE | REV | DESCRIPTION | DATE | APPROVED |
| | | | | |



CLEARANCE HOLE 7/8
(2 INCH LONG)

HEAD: .375 DD

8.0 + 1/16 - .000

UNLESS OTHERWISE SPECIFIED:
DIMENSIONS ARE IN INCHES
DECIMALS TOLERANCES ANGULAR
XX ± .01
XX ± .05
DO NOT SCALE DRAWING

United Sensor Inc.

KEE-8

| | | | |
|---------|-----|----------|----------|
| DRAWN | GD | DATE | 06/27/98 |
| CHECKED | CAR | SIZE | B |
| DESIGN | | FSCM NO. | |
| | | DWG NO. | KEE- |
| | | SCALE | 2:1 |
| | | SHEET | OF |
| | | REV | CUST.dwg |

DESIGNED BY: [Name] DATE: [Date] DRAWN BY: [Name] DATE: [Date]