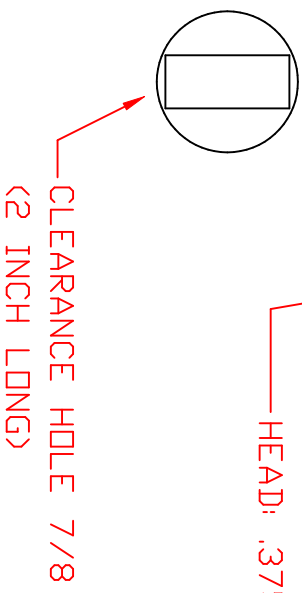
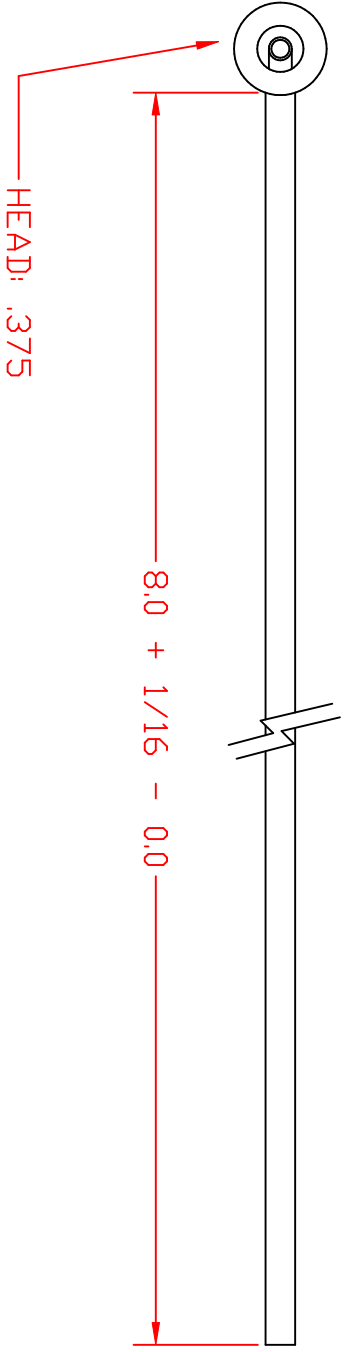
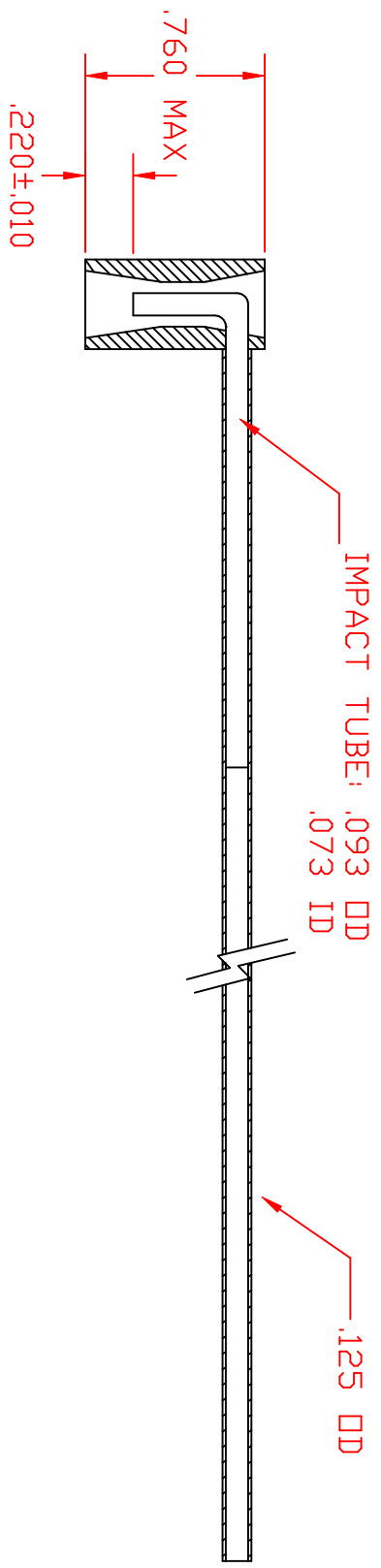


NOTES: 1. MAXIMUM TEMPERATURE 900°F

REVISIONS				
ZONE	REV	DESCRIPTION	DATE	APPROVED



UNLESS OTHERWISE SPECIFIED:
 DIMENSIONS ARE IN INCHES
 DECIMALS TOLERANCES ANGLULAR
 .XX ± .01
 .XXX ± .01
 ° ± 0.5
 DO NOT SCALE DRAWING

DRAWN		DATE		United Sensor Inc. KEC-8	
GD		06/7/98			
CHECKED		SIZE		DWG NO.	
CAR		B		KEC.C.DWG	
DESIGN		SCALE		REV	
		2:1			
		SHEET		OF	