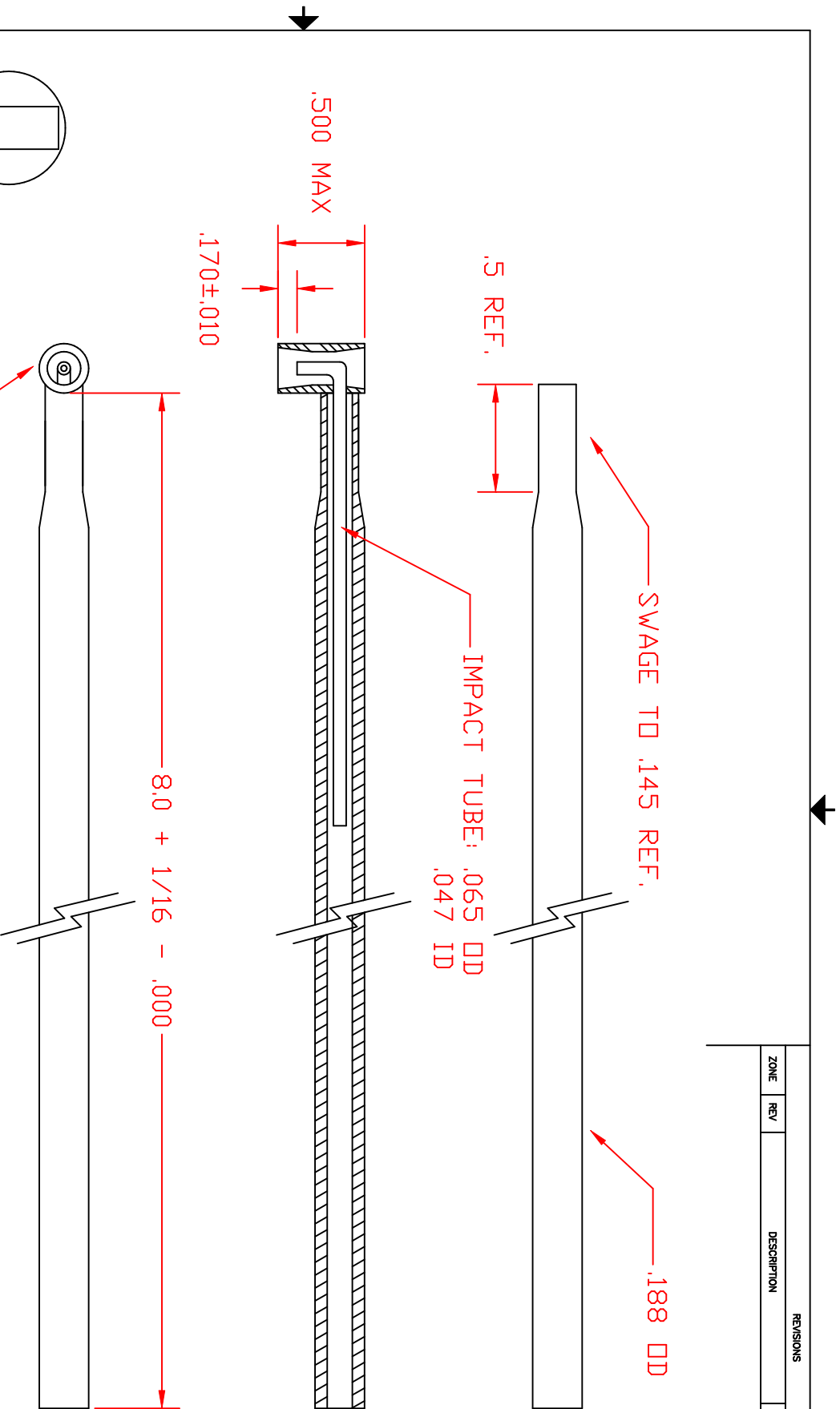


REVISIONS				
ZONE	REV	DESCRIPTION	DATE	APPROVED



UNLESS OTHERWISE SPECIFIED:  
DIMENSIONS ARE IN INCHES  
DECIMALS TOLERANCES  
ANGULAR  
XXX ± .010  
± .05  
DO NOT SCALE DRAWING

United Sensor Inc.

KDE-8

DRAWN	GD	DATE	062599	SIZE	FSCM NO.	DWG NO.	KDE-	SHEET	OF
CHECKED	CAR	102899		B			CUST. DWG		
DESIGN				SCALE	2:1				

UNITED SENSOR INC. 10000 W. 10TH ST. DENVER, CO 80231