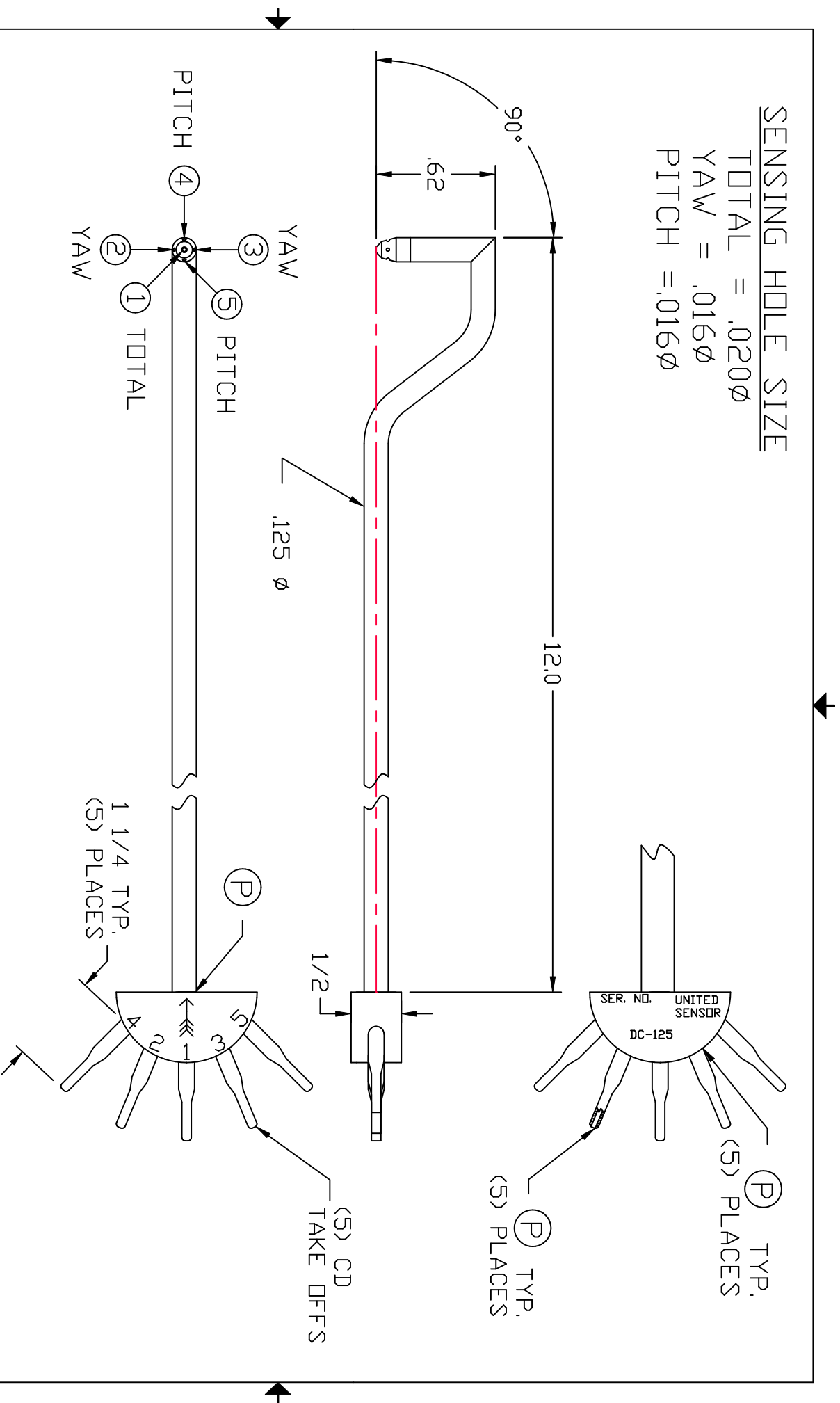


SENSING HOLE SIZE

TOTAL = .020Ø
 YAW = .016Ø
 PITCH = .016Ø



NOTES: 1. MAXIMUM TEMPERATURE 900°F
 2. PRESSURE TIGHT (P)



UNLESS OTHERWISE SPECIFIED: DIMENSIONS ARE IN INCHES DECIMALS TOLERANCES ANGULAR		United Sensor Corp	
XXX ± .010	XX ± .005	DC-125-12-CD	
DO NOT SCALE DRAWING		SIZE B	DWG NO. DC-125-
DRAWN HJW	DATE 022504	SCALE	-CD CUST
CHECKED		SHEET	REV
DESIGN		OF	

UNITED SENSOR CORPORATION
 1000 W. 10TH ST. SUITE 100
 DENVER, CO 80202