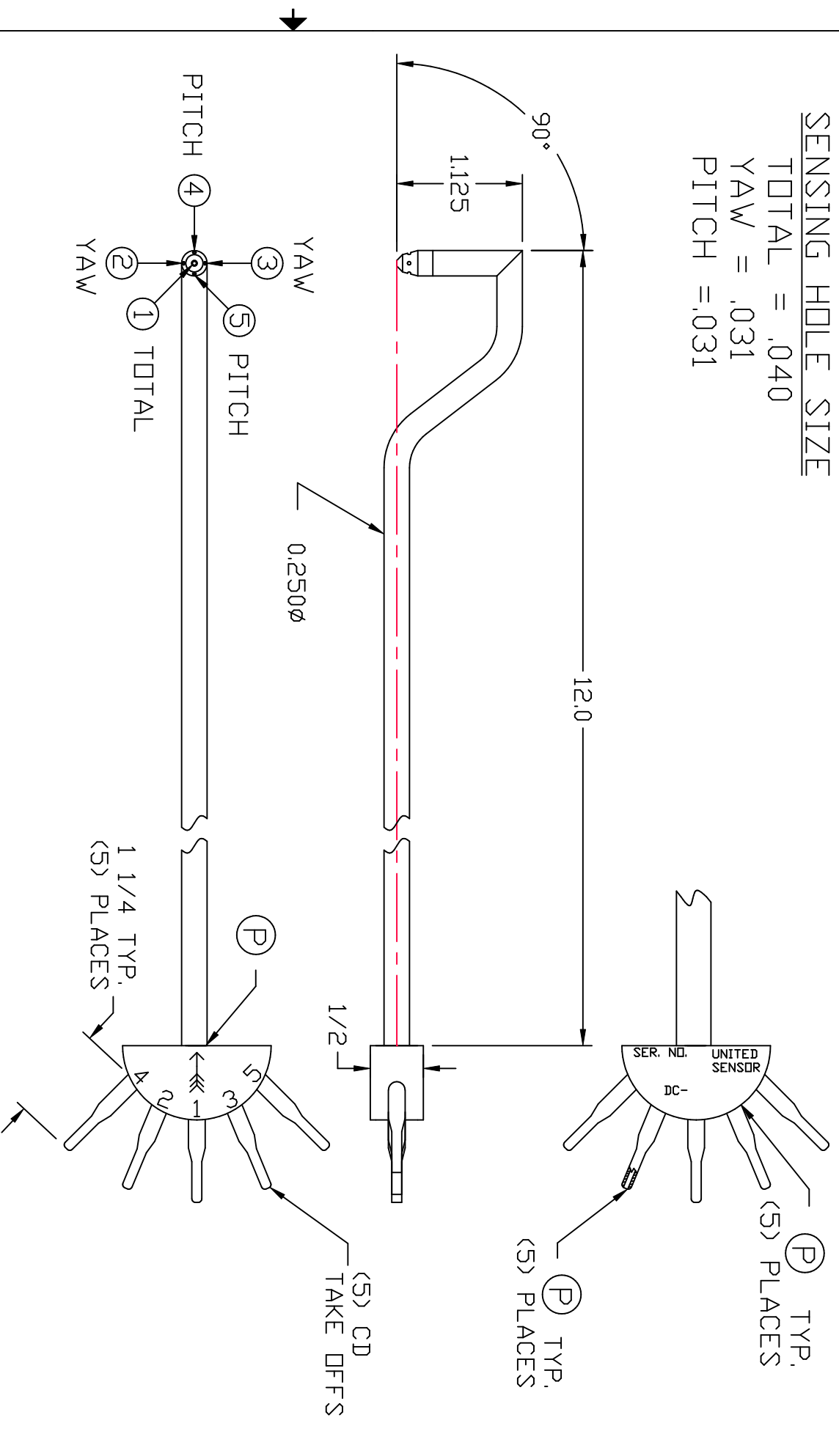


SENSING HOLE SIZE

TOTAL = .040
 YAW = .031
 PITCH = .031



NOTES: 1. MAXIMUM TEMPERATURE 900°F
 2. PRESSURE TIGHT (P)



UNLESS OTHERWISE SPECIFIED: DIMENSIONS ARE IN INCHES DECIMALS TOLERANCES ANGULAR XXX ± .010 ± 0.5 DO NOT SCALE DRAWING		United Sensor Corp	
DRAWN	HJW	DATE	01/30/02
CHECKED		SIZE	B
DESIGN		DWG NO.	DC-250-
			-CD CUST.dwg
		SCALE	
		SHEET	OF
		REV	