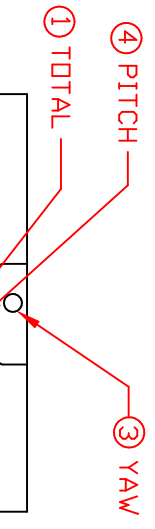
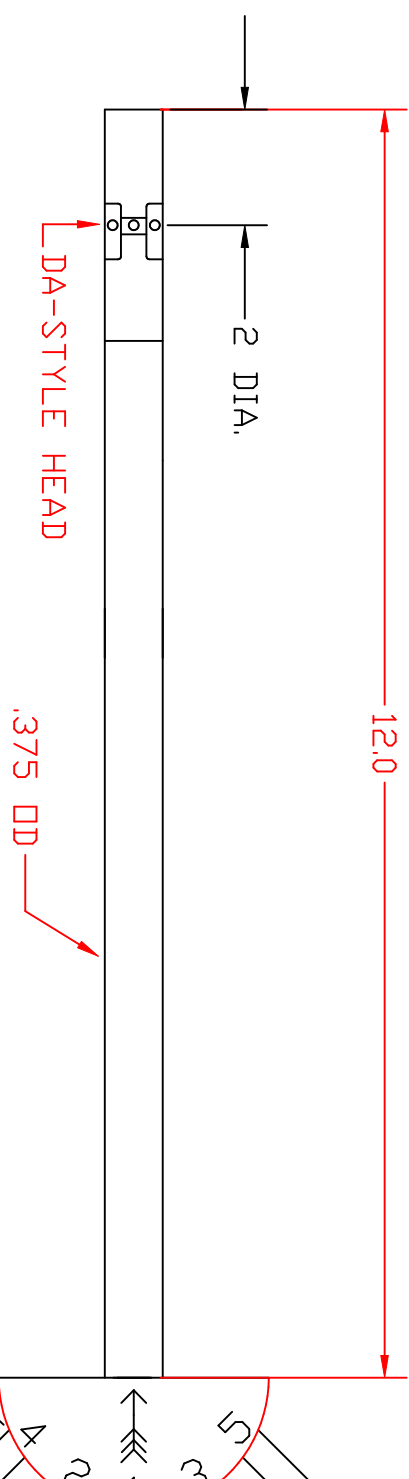
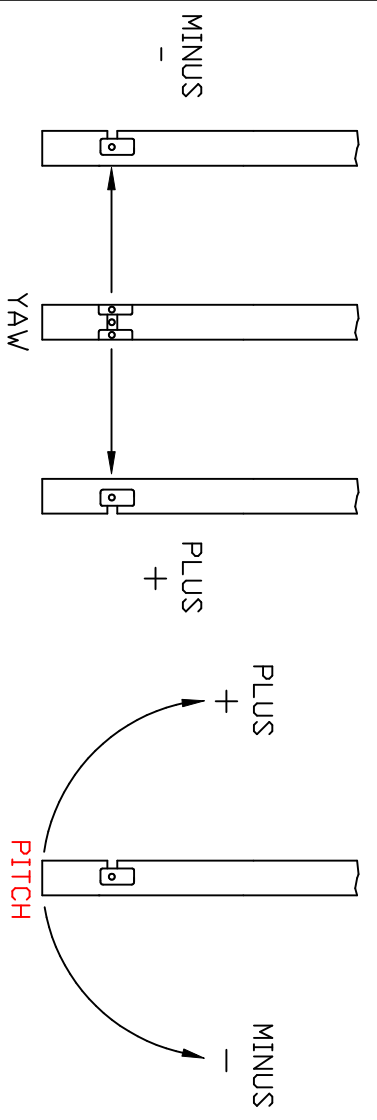
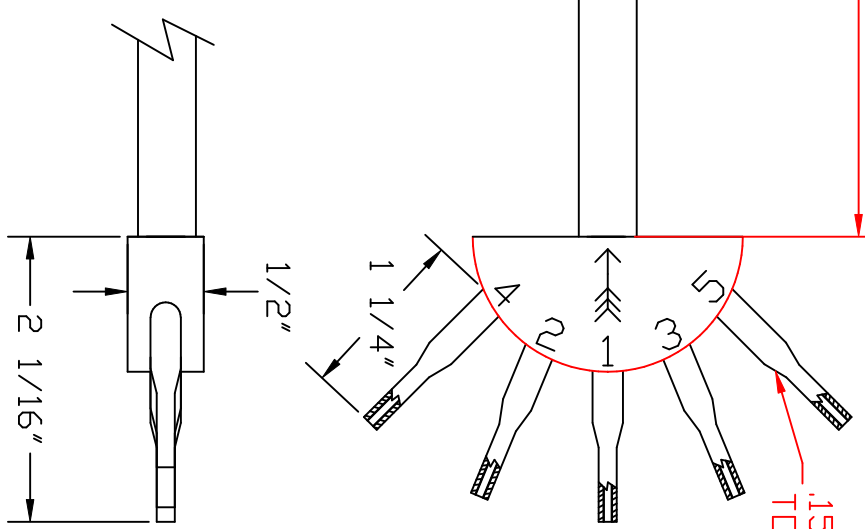


CUSTOMER DRAWING

REVISIONS			DATE	APPROVED
ZONE	REV	DESCRIPTION		



SENSING HOLE SIZE
 TOTAL = .046 DIA.
 YAW = .046 DIA.
 PITCH = .028 DIA.



UNLESS OTHERWISE SPECIFIED:
 DIMENSIONS ARE IN INCHES
 DECIMALS TOLERANCES ANGULAR
 .XX ± .010
 .XXX ± .010
 DO NOT SCALE DRAWING

United Sensor Inc.

DA-375-12-CD

DRAWN	GD	DATE	051699
CHECKED	CAR	121399	
DESIGN			

SIZE	FSCM NO.	DWG NO.	REV
B		DA-375-C	

SCALE - OF SHEET