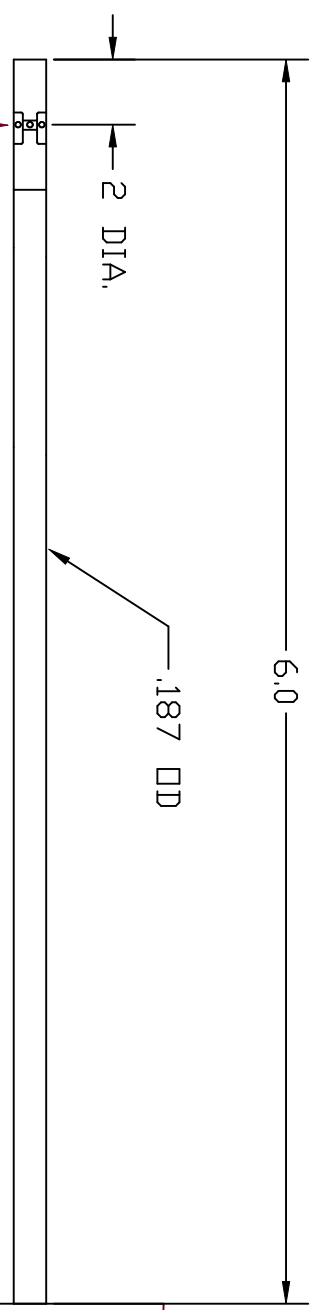
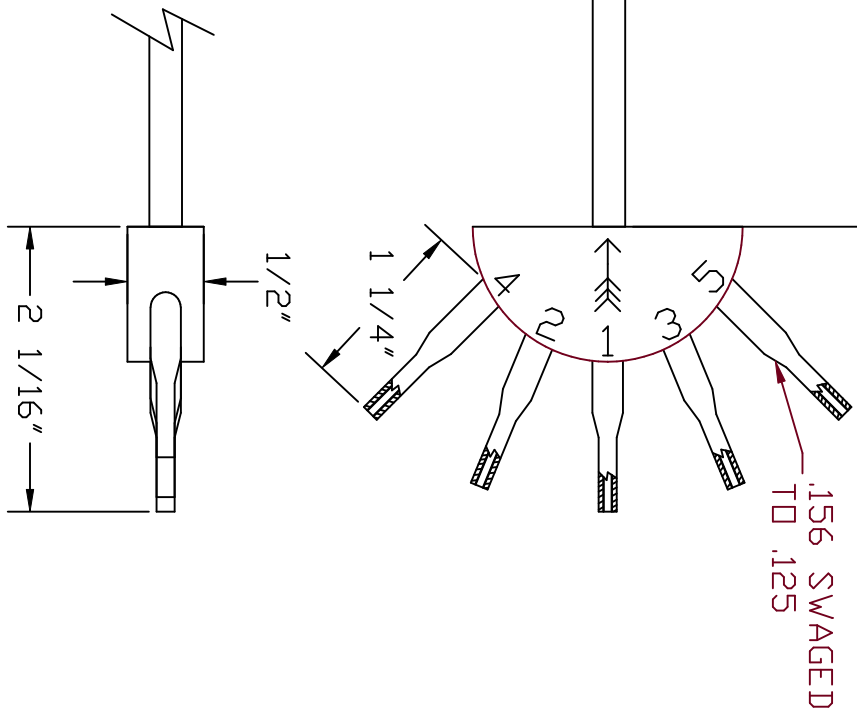
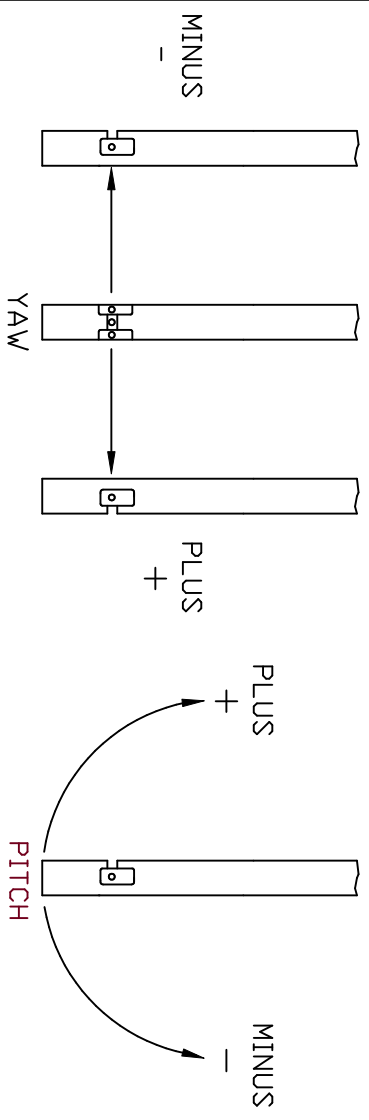
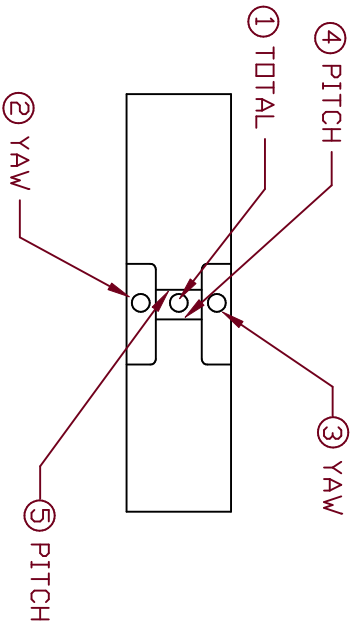


REVISIONS				
ZONE	REV	DESCRIPTION	DATE	APPROVED



SENSING HOLE SIZE
 TOTAL = .024 DIA.
 YAW = .024 DIA.
 PITCH = .018 DIA.



UNLESS OTHERWISE SPECIFIED:
 DIMENSIONS ARE IN INCHES
 DECIMALS OR ANGULAR
 TOLERANCES ± .010
 ± .05
 DO NOT SCALE DRAWING

United Sensor Inc.

DA-187-6-CD

DRAWN	GD	DATE	100301
CHECKED	CAR	1111399	
DESIGN			

SIZE	DWG NO.	REV
B	DA-187- -CD	CUST.dwg

SCALE - OF SHEET