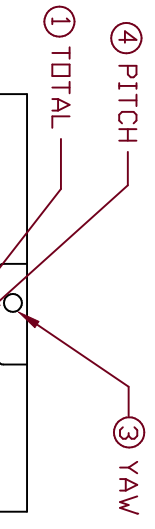
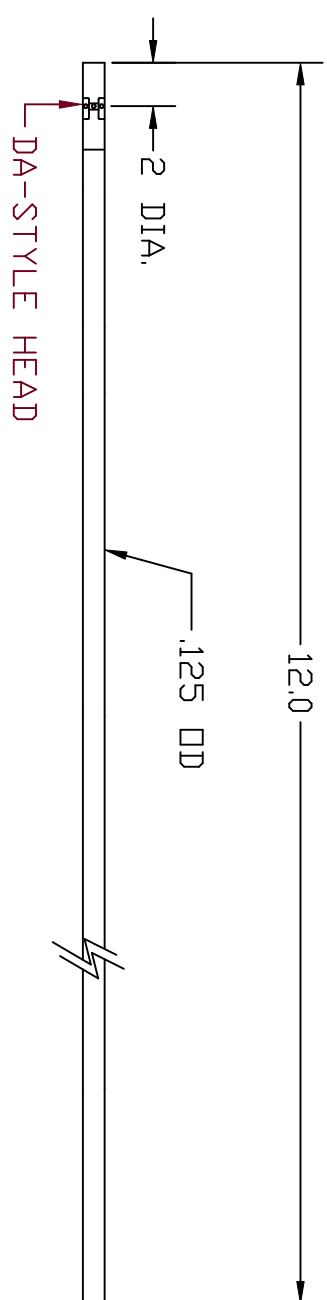
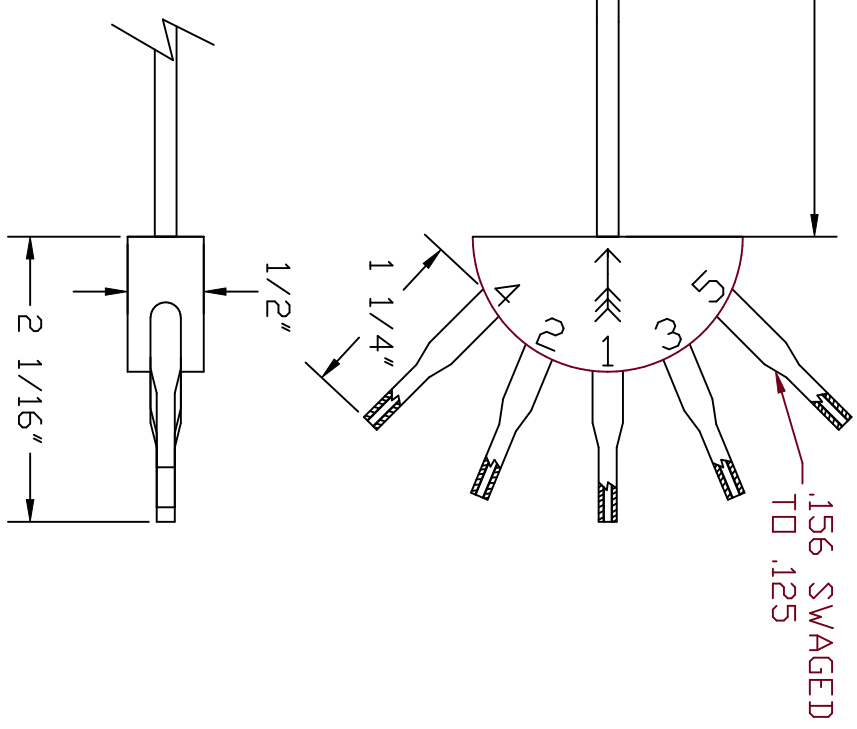
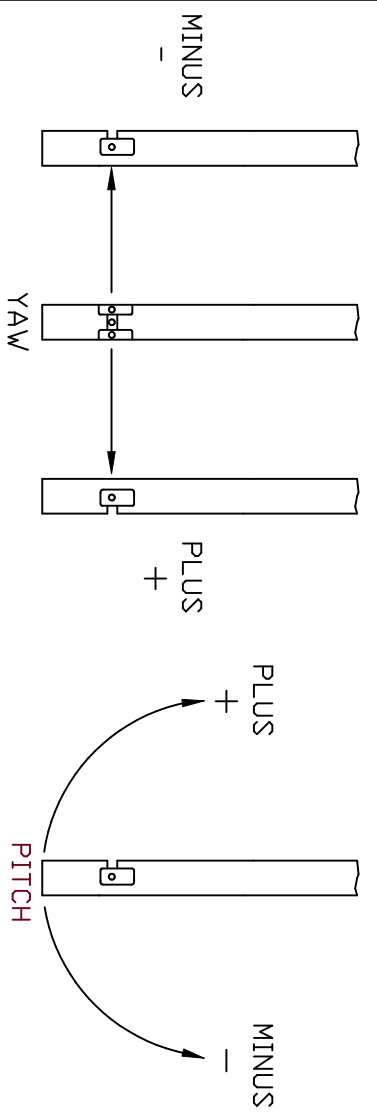


REVISIONS				
ZONE	REV	DESCRIPTION	DATE	APPROVED



SENSING HOLE SIZE  
 TOTAL = .018 DIA.  
 YAW = .018 DIA.  
 PITCH = .0145 DIA.



UNLESS OTHERWISE SPECIFIED:  
 DIMENSIONS ARE IN INCHES  
 DECIMALS TOLERANCES ANGULAR  
 .XX ± .005  
 .XXX ± .010  
 DO NOT SCALE DRAWING

DRAWN		DATE		<b>United Sensor Inc.</b> <b>DA-125-12-CD</b>			
GD		051699					
CHECKED		DESIGN		SIZE	FSCM NO.	DWG NO.	REV
CAR		111899		B		DA-125-	-CD CUST.dwg
SCALE				SHEET		OF	