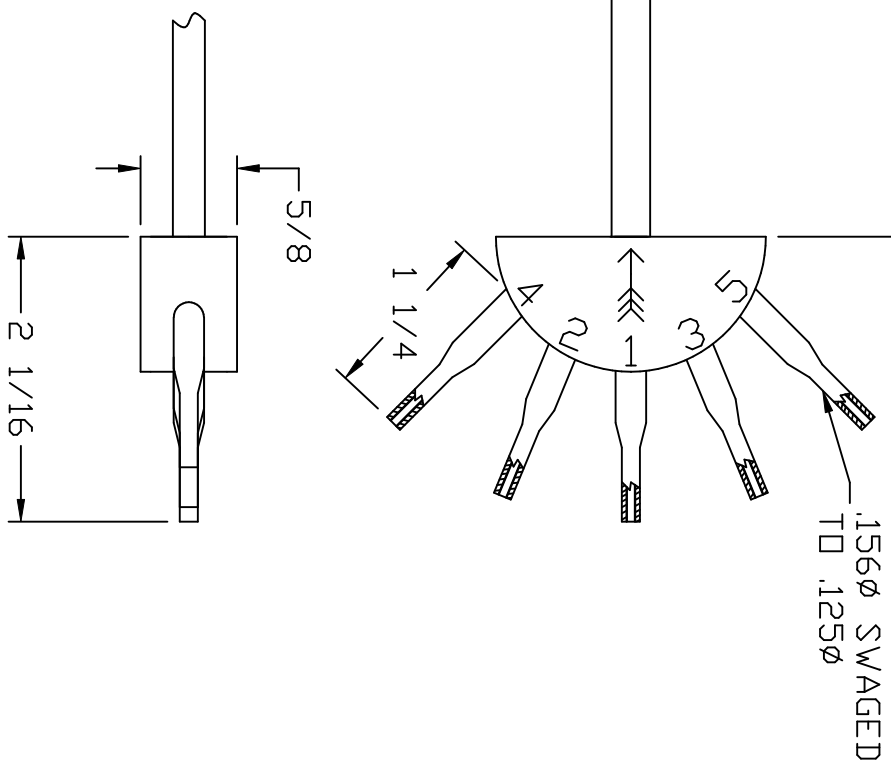
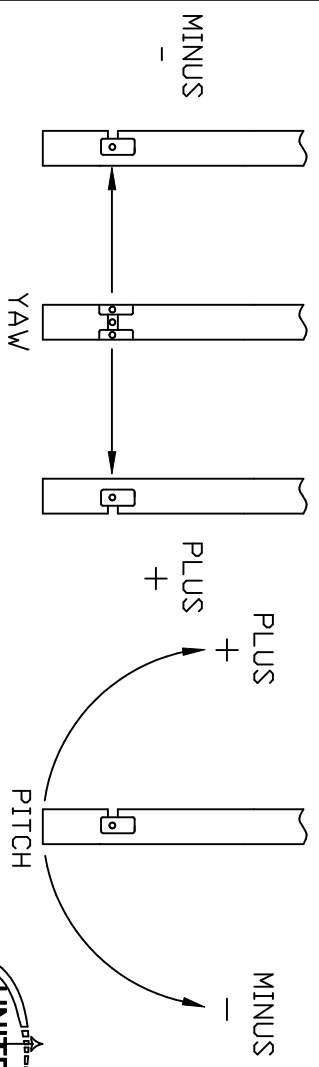
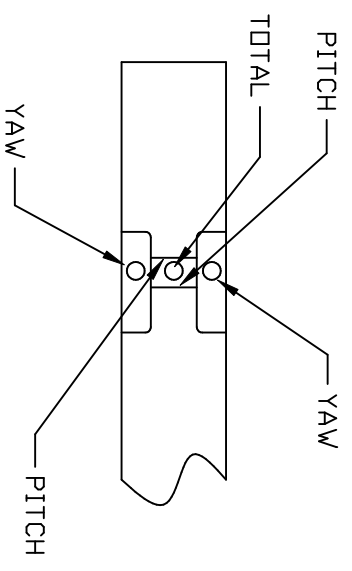


SENSING HOLE SIZE
 TOTAL = .031 DIA.
 YAW = .031 DIA.
 PITCH = .020 DIA.



NOTES: 1. MAXIMUM TEMPERATURE 900°F



UNLESS OTHERWISE SPECIFIED: DIMENSIONS ARE IN INCHES DECIMALS OR ANGULAR TOLERANCES ± .05 DO NOT SCALE DRAWING		United Sensor Inc.	
DRAWN	GD	DATE	02/25/03
CHECKED	CAR	DESIGN	12/09/99
SIZE	DWG NO.	DA-250-	-CD CUST
SCALE	REV	SHEET	OF