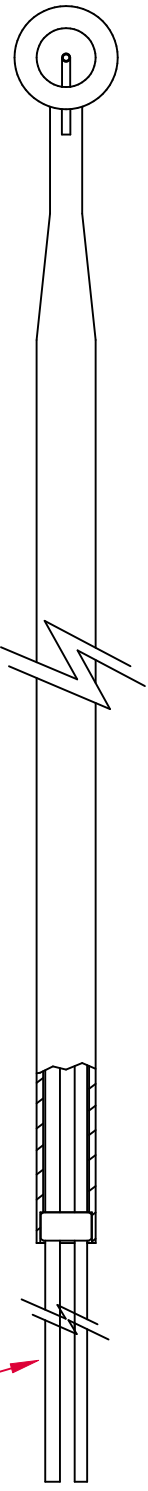
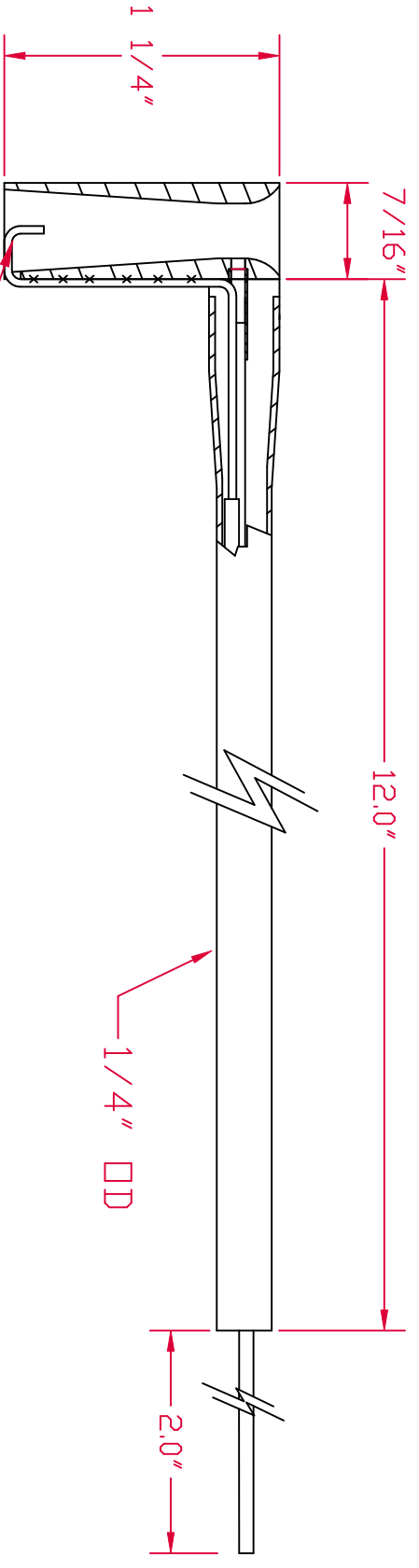


CUSTOMER DRAWING

REVISIONS				
ZONE	REV	DESCRIPTION	DATE	APPROVED



2: 1/16" DD



VB VB-4 TOTAL

UNLESS OTHERWISE SPECIFIED:
 DIMENSIONS ARE IN INCHES
 DECIMALS ± .010
 ANGULAR ± 0.5°
 DO NOT SCALE DRAWING

United Sensor Inc.

VB-4-12

DRAWN	GD	DATE	061399
CHECKED			
DESIGN			

SIZE	FSCM NO.	DWG NO.	REV
B		VB	CUSTOMER
SCALE			SHEET
			OF